

**HELI**

# **CBD15J/18J/20J-Li3**

**The 3rd Generation Lithium  
Battery Pallet Truck**

**LIION**



Load  
Capacity

**1.5-2t**

**EMPOWER THE WORLD**

# 1 EASY TO MAINTENANCE



 **Lithium battery, maintenance free**

 **Brushless drive motor, maintenance free**

 **5s Replace Battery**

 **Error code display**

 **Perfect after-sales and accessory services**

 **Built-out charger is standard**

# 2 PERFORMANCE

  
**Traveling speed**

**− UNLADEN 4.5Km/h**  
**+ LADEN 4.2Km/h**

**Gradeability**

**Without load 10%**  


**With load 5%**



# 3 CHARACTERISTICS

closer look into



Built-in Charger (Optional)



Built-out Charger



Concave Design



Integral Forks



PU Wheel



Smart Handle (Optional)



Normal Handle



Emergency Power-off Switch



Wire Harness Fixing Block



Protection Cover

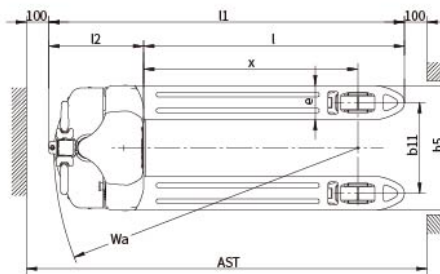
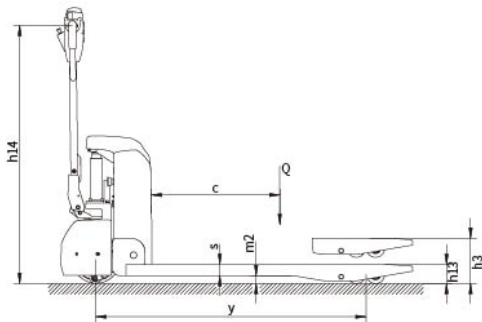




# CBD15J/18J/20J-Li3

## Manufacturer's Data and Design Characteristics

Characteristics									
1.01	Manufacturer	<b>HELI</b>							
1.02	Model	CBD15J-Li3		CBD18J-Li3		CBD20J-Li3			
1.03	Power unit	Electric		Electric		Electric			
1.04	Operation	Pedestrian		Pedestrian		Pedestrian			
1.05	Rated traction weight	Q (t)	1.5		1.8		2.0		
1.06	Load centre	c (mm)	600		600		600		
1.07	Axle centre to fork face	x (mm)	944		944		944		
1.08	Wheel base	y (mm)	1190		1190		1190		
Weights									
2.01	Service weight with battery	kg	138		148		150		
Wheels/Tyres									
3.01	Wheels type	Polyurethane		Polyurethane		Polyurethane			
3.02	Driving wheel size	$\Phi \times w$ (mm)	$\Phi 210 \times 70$		$\Phi 210 \times 70$		$\Phi 210 \times 70$		
3.03	Bearing wheel size	$\Phi \times w$ (mm)	$\Phi 80 \times 60$		$\Phi 80 \times 60$		$\Phi 80 \times 60$		
3.04	Wheels, number front/rear (x = driven)		1x/4		1x/4		1x/4		
3.05	Track width	b11 (mm)	400/535		400/535		400/535		
Dimensions									
4.01	Lift	h3 (mm)	200		200		200		
4.02	Overall height(With handle)	h14 (mm)	725/1145		725/1145		725/1145		
4.03	Lowered height	h13 (mm)	85		85		85		
4.04	Overall length	l1 (mm)	1550		1550		1550		
4.05	Length to fork face	l2 (mm)	400		400		400		
4.06	Overall width	b1/ b2 (mm)	550/685		550/685		550/685		
4.07	Fork dimensions	s/e/l (mm)	50/150/1150		50/150/1150		50/150/1150		
4.08	Width of forks	b5 (mm)	550/685		550/685		550/685		
4.09	Min.Ground clearance	m2 (mm)	35		35		35		
4.10	Aisle width with pallet 1000 x 1200 across forks	Ast (mm)	1750		1750		1750		
4.11	Aisle width with pallet 800 x 1200 along forks	Ast (mm)	1800		1800		1800		
4.12	Min.Turning radius	Wa (mm)	1345		1345		1345		
Performance									
5.01	Travel speed,laden/unladen	(km/h)	4.2/4.5		4.2/4.5		4.2/4.5		
5.02	Maximum climbing ability, with/without load	(%)	5/10		5/10		5/10		
5.03	Service brake		Electromagnetic brake		Electromagnetic brake		Electromagnetic brake		
Drive									
6.01	Drive motor, 60 minute rating	(kW)	0.75		0.75		0.75		
6.02	Lift motor rating at S3 15%	(kW)	0.8		0.8		0.8		
6.03	Battery according to DIN 43531/35/36 A,B,C,no		no		no		no		
6.04	Battery voltage/rated capacity	(V/Ah)	24/20	24/30	24/40	48/15	48/20	48/15	48/20
6.05	Battery weight ( $\pm 5\%$ )	(kg)	5.5	7	8.2	7	8.2	7	8.2
Others									
7.01	Type of drive control		DC		DC		DC		
7.02	Noise level at operator's ear	(dB(A))	$\leq 70$		$\leq 70$		$\leq 70$		
7.03	Steering type		Mechanical steering		Mechanical steering		Mechanical steering		
7.04	Controller brand		Curtis		Curtis		Curtis		



检测 CNAS L7098

**HELI CANADA**

5705, place Kubota  
Drummondville (Qc)  
Canada, J2B 6V4  
1-833-HELICAN  
info@heliforklift.ca  
heliforklift.ca



Our products are subject to improvements and changes without notice.



# HELI

## CBD20J

Electric Pallet Truck

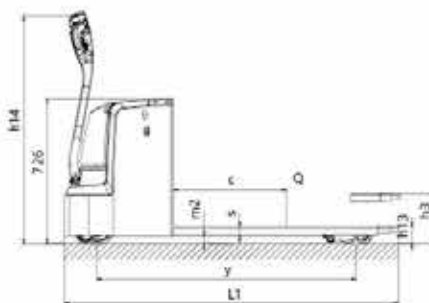
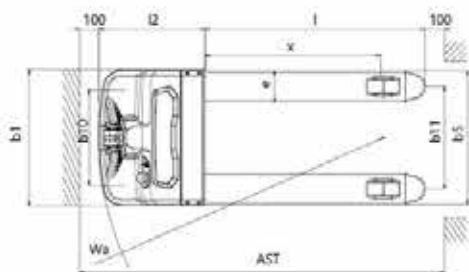
### Characteristics:

1. The truck has compact structure and small turning radius and it is suitable for narrow freight elevator.
2. The truck has electric lifting limit function. When the fork arm is lifted to the top position, the system will turn off the lifting circuit automatically which has safe performance, low energy consumption and long service life.
3. Mechanical steering is economy and has high reliability.
4. Split type design of truck body makes maintenance easier.
5. Emergent reversing device ensures operation safety.
6. Auxiliary wheels on two sides improves travelling stability.
7. Objects storage groove on top of truck body is beautiful and functional.



## Manufacturer's Data and Design Characteristics

Characteristics			
1.1	Manufacturer		HELI
1.2	Model		CBD20J
1.3	Operator type		Pedestrian
1.4	Rated capacity	Q (kg)	2000
1.5	Lift height	h3 (mm)	200
1.6	Service weight with battery	kg	333
1.7	Load centre	c (mm)	600
1.8	Axle centre to fork face	x (mm)	931
1.9	Wheel base	y (mm)	1324
1.10	Controller		CURTIS
Wheels			
2.1	Wheels type		Polyurethane
2.2	Driving wheel size	Φ × w (mm)	Φ210 × 70
2.3	Bearing wheel size	Φ × w (mm)	Φ80 × 70
2.4	Additional wheels(dimensions)	Φ × w (mm)	Φ100 × 40
2.5	wheels, number front/rear (x - driven)		1x+2/4
2.6	track width, rear, loading side	b11 (mm)	380/525
Dimensions			
3.1	Overall length	l1 (mm)	1708
3.2	Length to fork face	l2 (mm)	558
3.3	Overall width	b1 (mm)	700
3.4	Fork dimensions	s/o/l (mm)	50/160/1150
3.5	Width of forks	b5 (mm)	550/685
3.6	Lowered height	h13 (mm)	85
3.7	Min. Ground clearance	m2 (mm)	35
3.8	Height drawbar in driving position min./max.	h14 (mm)	730/1165
3.9	Aisle width with pallet 1000 x 1200 across forks	AST (mm)	1909
3.10	Aisle width with pallet 800 x 1200 along forks	AST (mm)	1959
3.11	Min.Turning radius	Wa (mm)	1490
Performance			
4.1	Travel speed, with/without load	(km/h)	4.2/4.5
4.2	Lifting speed, with/without load	(mm/s)	20/26
4.3	Lowering speed, with/without load	(mm/s)	33/21
4.4	Max. Gradeability laden/unladen	(%)	3/10
4.5	Service brake type		Electromagnetic brake
Drive and Battery			
5.1	Drive motor, output ≤2 60 min.	(kW)	0.75
5.2	Lift motor rating at ≤3 15%	(kW)	0.8
5.3	Battery according to din 43531/35/36 a,b,c,no		no
5.4	Battery voltage/rated capacity	(V/Ah)	2 × 12/100
5.5	Battery weight (± 5%)	(kg)	2 × 27
Others			
6.1	Type of drive control		DC
6.2	Sound pressure level at driver's ear	(dB(A))	≤70
6.3	Steering type		Mechanical steering



### HELI CANADA

5705, place Kubota  
 Drummondville (Qc)  
 Canada, J2B 6V4  
 1-833-HELICAN  
 info@heliforklift.ca  
 heliforklift.ca

